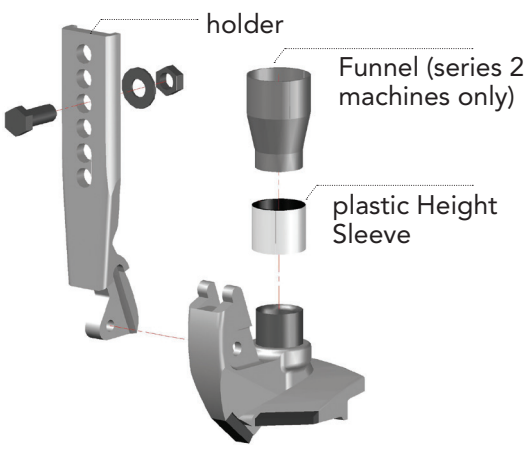
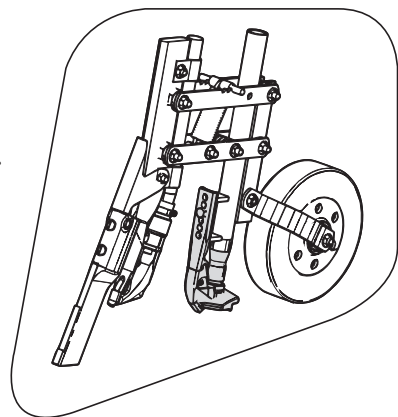




NEW PRODUCT: SPLITTER BOOT (ITEM 77)

- New Product. Tested in 2015 season. Limited stock available in 2016.
- Machines set at 12" spacing's can now split seed 3" apart allowing gap between seeding rows to be at 9".
- Places seed into the wall of the trench in the moisture zone helping to combat non wetting soils.
- Leading tungsten tile at a reverse angle to help ride over obstacles.
- Suitable for Series 1 and 2 machines. Height adjustable.
- Low profile for minimal soil throw.
- Compatible with existing wear shoe holder (item 21).



Below: Soil Profile showing Splitter Boot from rear passing through soil (left) and resulting delivery of seed and fertiliser (right)

