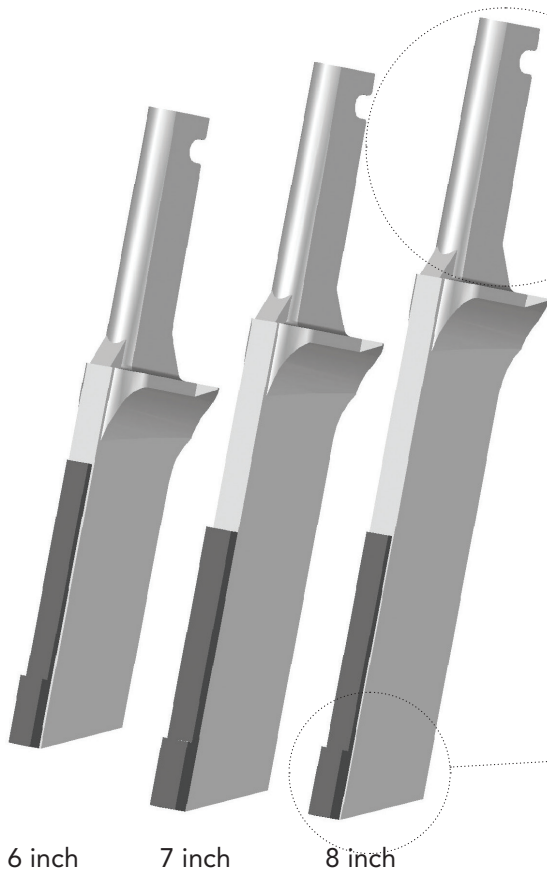
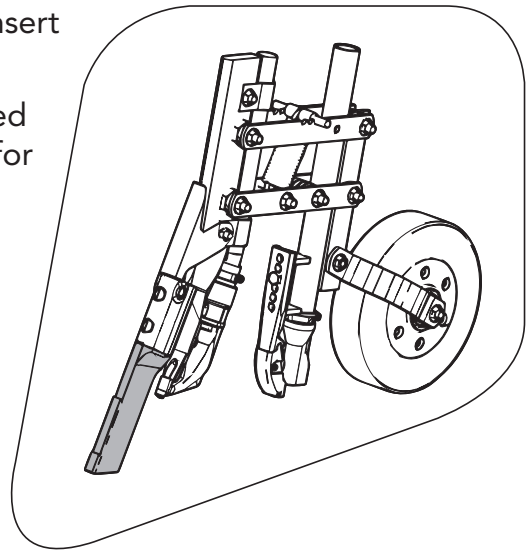


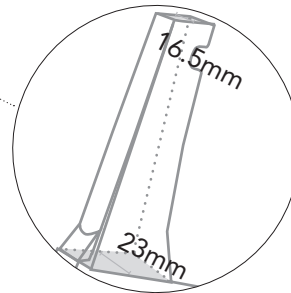


KNIFE: 8" (ITEM 30), 7" (ITEM 31), 6" (ITEM 32)

- Tapered cast steel design making it easy to insert & remove in holder.
- Highest grade of carbide available and applied using induction welding, with proven results for wear and shock loads.
- Knife blade is tapered to increase wear life, 13mm at the front and 18mm at rear. Both point and holder are low profile allowing minimal soil throw, good trash handling.
- Low cost and quick to change.



Insertion point is tapered for easy fitting/removal (measurement is across central plain shown in grey).



Rear of knife is wider to prolong wear life.

